

Perkins Generator

Prime: 360KW/450KVA
Standby: 400KW/500KVA

DPX-19813

Technical Data

Model		500kva
Prime power	kva	450
	kw	360
Standby power	kva	500
	kw	400
Rated voltage line to line	V	400
Rated current	A	650
Maximun sound level	dB@7m	75

Engine-Perkins

Model		2506C-E15TAG1
Aspiration		In line, Turbo charged,air to air chargecooled
Fuel system		Direct injection
No. cylinders		6
Displacement	L	15
Bore*Stroke	mm	137x171
Compression ratio		16:1
Rated speed	r/min	1500
Governor		ECM
Engine size	mm	2657x1120x1718
Engine wet weight	kg	1633
Fire order		1-5-3-6-2-4
Start Motor	V	24
Rotation		Anti-clockwise, viewed on the flyweel

Air inlet

Air inlet restriction	kpa	3,7
Max air restriction	kpa	6,35

Fuel system

type of injection system		MEUI
fuel injector pressure		200MPa

Fuel System

110% load(Standby power)	L/h	109
100% load(Prime power)	L/h	99
75% load(Prime power)	L/h	73
50% load(Prime power)	L/h	51
Fuel capacity for silent genset	L	550
Fuel capacity for open genset	L	500

Lubrication System

Oil capacity	L	62
--------------	---	----

Cooling System

Total coolant capacity	L	58
------------------------	---	----

Standard Features

Engine(Perkins ENGINE)	●
Radiator 50°C max,fans are driven by belt	●
24V charge alternator	●
Alternator: single bearing alternator IP23	●
insulation class H/H	●
Standard auto control system	●
Main line circuit breaker / ACB	●
Base fuel tank	●
24V batteries, rac and cable	●
Exhaust system(Ripple flex exhaust pipe)	●
Exhaust siphon, flange, muffler	●
User manual	●
Battery charge	●

Options

Water heater	<input type="radio"/>
Alternator heater	<input type="radio"/>
One set of air filter, fuel filter, oil filter	<input type="radio"/>
PMG	<input type="radio"/>
Water oil separator	<input type="radio"/>
Daily fuel tank	<input type="radio"/>
Remote control panel	<input type="radio"/>
Automatic transfer switch/ATS	<input type="radio"/>
Switch box	<input type="radio"/>

Standard: ●

Options: ○

Alternator

Model		TAL-A473-B
Alternator Brand		Leroy Somer
Phase		3
Voltage	V	400
Wiring Type		6 wires
Bearing		1
Power factor		0,8
Frequency	Hz	50
Prime power	KVA	455
Exciter Type		Brushless, self-excitation
Voltage regulation	%	±0.5
Protection Grade		IP 23
Insulation grade		H

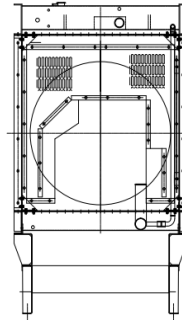
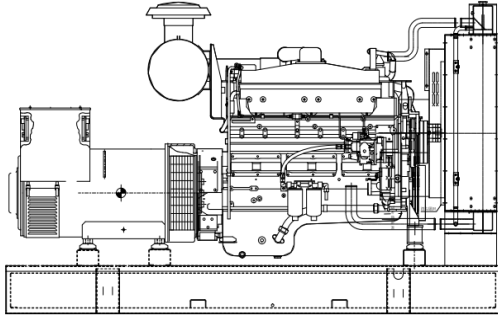
Controller-Deepsea

Model DSE 7320

- 7 configurable digital inputs
- Built-in governor and AVR control
- Base load (kW export) functionality
- Mains (utility) de-coupling protection
- Generator power (kW, kVA) monitoring
- Overload (kW & kV Ar) protection
- Emergency stop
- Start failure

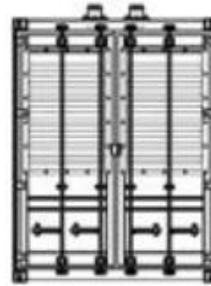
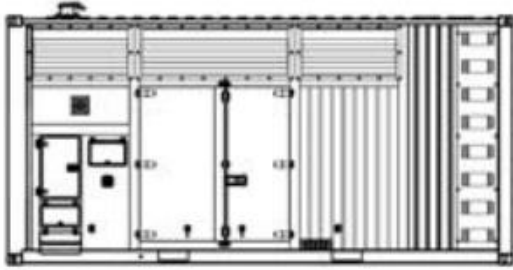


Unit Dimensions(Basic unit)



Open Type

L*W*H	mm	3500x1650x2000
Weight	kg	3600



Silent Type

L*W*H	mm	4500x2000x2400
Weight	kg	4200

Warranty

Perkins Engine

12 months from date of purchase or 1000 hours.

Generator

12 months from date of purchase or 1000 hours

(whichever comes first).